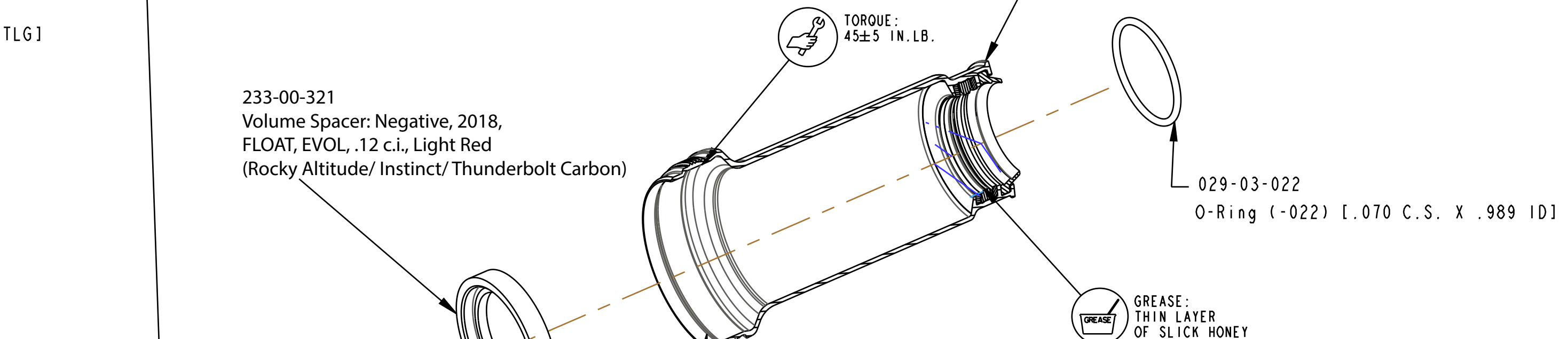


AIR SLEEVE ASSEMBLIES:
 806-29-590-KIT: Sleeve Assembly: 2018, 1.500 Bore, LV, EVOL, Kashima, 165 X 40/45 (Giant Anthem Advanced 29, Scott Spark)
 806-29-591-KIT: Sleeve Assembly: 2018, 1.500 Bore, LV, EVOL, Kashima, 185 X 50/55 (Scott Genius)
 806-29-592-KIT: Sleeve Assembly: 2018, 1.500 Bore, LV, EVOL, Kashima, 205 X 60/65 (Giant Reign Advanced 27.5)
 806-29-599-KIT: Sleeve Assembly: 2018, 1.500 Bore, LV, EVOL, Kashima, 7.875 X 2.25/2.00, 0.5" Shaft (Pivot Mach 5.5)
 806-29-611-KIT: Sleeve Assembly: 2018, 1.500 Bore, LV-Metric, EVOL, Kashima, 210 X 50/55 (Rocky Altitude/ Instinct/ Thunderbolt Carbon)

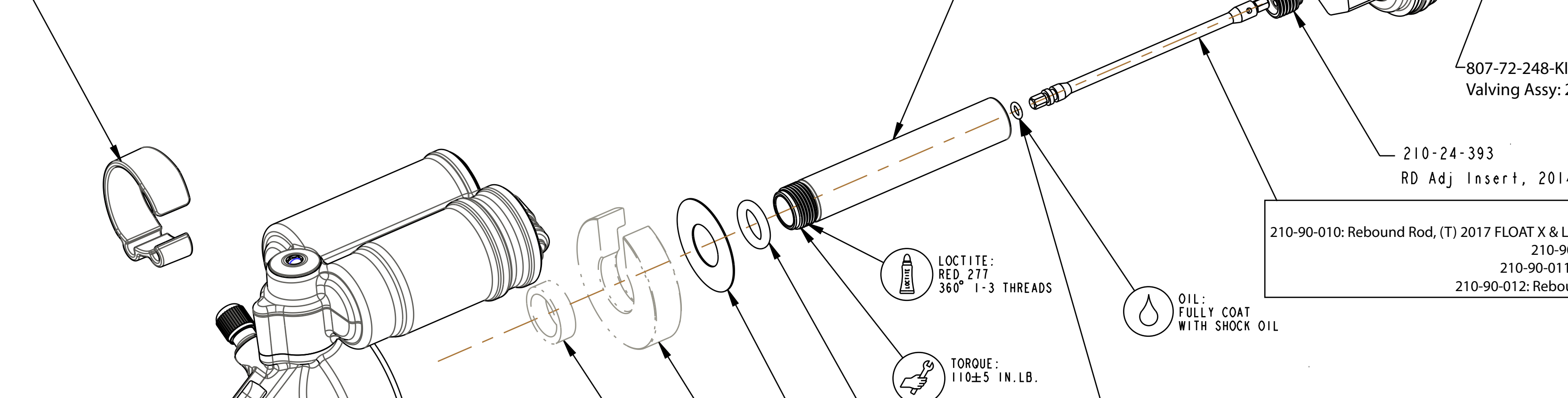
BODIES:
 207-50-031: Body: FLOAT [Ø 0.940 Bore, 1.060 OD, 3.959 TLG] Kashima, 165(T) x 40/45 (Giant Anthem Advanced 29, Scott Spark)
 207-50-033: Body: FLOAT [Ø 0.940 Bore, 1.060 OD, 4.746 TLG] Kashima, 205(T) x 60/65 (Giant Reign Advanced 27.5)
 207-50-032: Body: FLOAT [Ø 0.940 Bore, 1.060 OD, 4.352 TLG] Kashima, 185(T) x 50/55 (Scott Genius)
 207-50-006: Body: (T) [Ø 0.940 Bore, 1.060 OD, 4.312 TLG, 1.125-20 UN-2A] Impact Extrusion Al 6061, Kashima, 7.875 x 2.0/2.25 (Pivot Mach 5.5)
 207-50-037: Body: FLOAT [Ø 0.940 Bore, 1.060 OD, 4.789 TLG] Kashima, 210 x 50/55 (Rocky Altitude/ Instinct/ Thunderbolt Carbon)



BEARING ASSEMBLIES:
 812-06-089-KIT: Bearing Assy: FLOAT, 2018, Short [.940 Bore, 1.500 Bore, .500in Shaft] (Giant Anthem Advanced 29/Reign Advanced 27.5, Scott Genius/Spark, Rocky Altitude/Instinct/Thunderbolt Carbon)
 812-06-090-KIT: Bearing Assy: FLOAT, 2018, Tall [.940 Bore, 1.500 Bore, .500in Shaft] (Pivot Mach 5.5)

SHAFTS:
 230-22-009: Shaft: (T) [.390/.360 ID X .498 OD X 2.652 TLG] 190/165(T) X 45, STEEL, CHROME I (Giant Anthem Advanced 29, Scott Spark)
 230-22-001: Shaft: (T) [.390/.360 ID X .498 OD X 3.13 TLG] 7.875 X 2.0/2.25, STEEL, CHROME I (Pivot Mach 5.5)
 230-22-011: Shaft: (T) [.390/.360 ID X .498 OD X 3.439 TLG] 230/205(T) X 65, STEEL, CHROME I (Giant Reign Advanced 27.5)
 230-22-010: Shaft: (T) [.390/.360 ID X .498 OD X 3.045 TLG] 210/185(T) X 55, STEEL, CHROME I (Rocky Altitude/ Instinct/ Thunderbolt Carbon, Scott Genius)

218-01-017 LIVE Valve MTB, Cable to Reservoir Clip



REBOUND METERING RODS:
 210-90-010: Rebound Rod, (T) 2017 FLOAT X & LIVE, 3.310 TLG, 210 X 55 & 165(T) X 45 (Giant Anthem Advanced 29, Scott Spark, Rocky Altitude/ Instinct/ Thunderbolt Carbon)
 210-90-001: Rebound Rod, (T) 2014 Float X, 3.395 TLG for 7.875 X 2.0/2.25 (Pivot Mach 5.5)
 210-90-011: Rebound Rod, (T) 2017 FLOAT X & LIVE, 3.704 TLG, 230 X 65 & 185(T) X 55 (Scott Genius)
 210-90-012: Rebound Rod, (T) 2017 FLOAT X & LIVE, 4.098 TLG, 250 X 75 & 205(T) X 65 (Giant Reign Advanced 27.5)

LOCTITE: RED 277 360° 1-3 THREADS
 TORQUE: 110±5 IN.LB.

029-08-205 Seals: O-Ring [3.0mm ID X 1.0mm CS] Metric, A90 NBR, Static

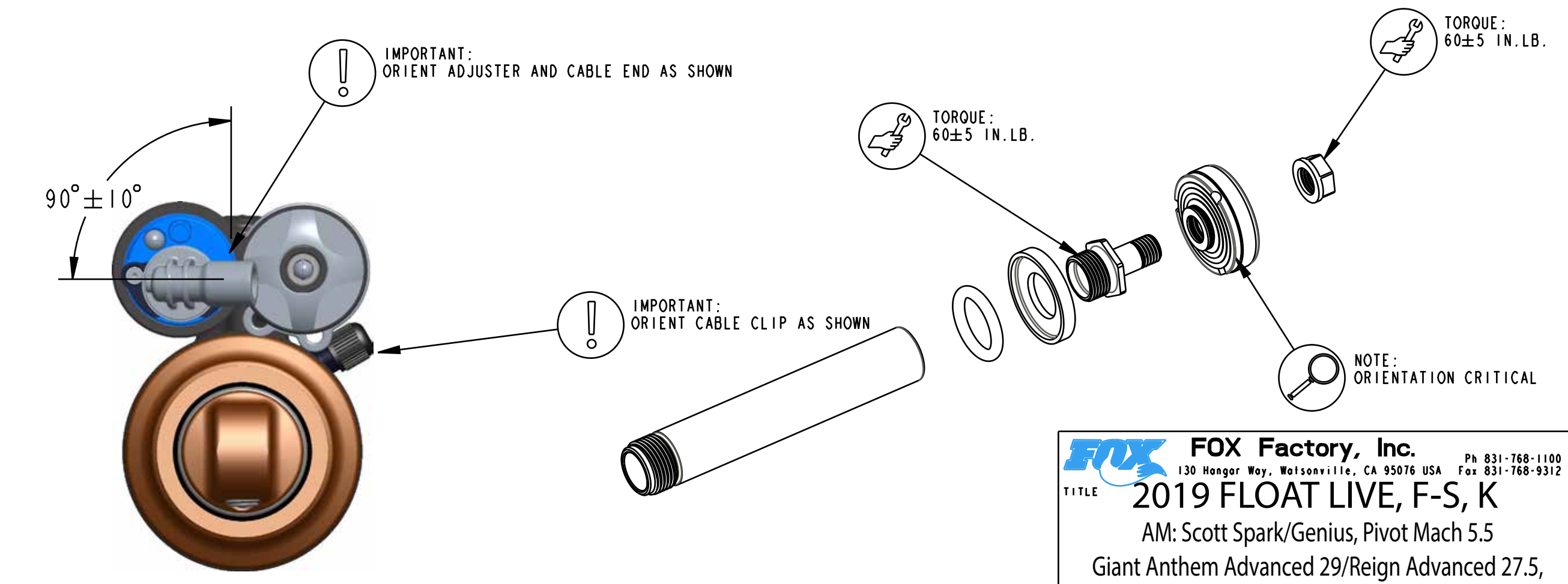
029-03-110 O-Ring (-110) [1.103 C.S. X .362 ID]

041-15-110 Valve: [1.100 OD X .504 ID X .015 TH]

VOLUME SPACERS:
 233-00-343: Volume Spacer: 2018 Float DPX2 0.86in³ Plastic, Medium Blue (Giant Anthem Advanced 29)
 233-00-342: Volume Spacer: 2018 Float DPX2 0.6in³ Plastic, Light Blue (Pivot Mach 5.5)
 233-00-341: Volume Spacer: 2018 Float DPX2 0.40in³ Plastic, Grey (Rocky Altitude/ Instinct/ Thunderbolt Carbon)

233-00-270 Spacer: Metric Travel, Float X, 2.5mm (Giant Anthem Advanced 29/ Reign Advanced 27.5)

EYELET ASSEMBLIES:
 808-17-311-KIT: Eyelet Assy: 2018, FLOAT LIVE, LV, Trunnion (Scott Spark/Genius, Giant Anthem Advanced 29/Reign Advanced 27.5)
 808-17-308-KIT: Eyelet Assy: 2018, FLOAT LIVE, LV (Pivot Mach 5.5, Rocky Altitude/ Instinct/ Thunderbolt Carbon)



PROPRIETARY - PROPRIETARY INFORMATION
 THIS DOCUMENT CONTAINS CONFIDENTIAL, PROPRIETARY INFORMATION THAT IS FOR PROPERTY. DO NOT DISCLOSE TO OR DUPLICATE FOR OTHERS EXCEPT AS AUTHORIZED BY FOX.